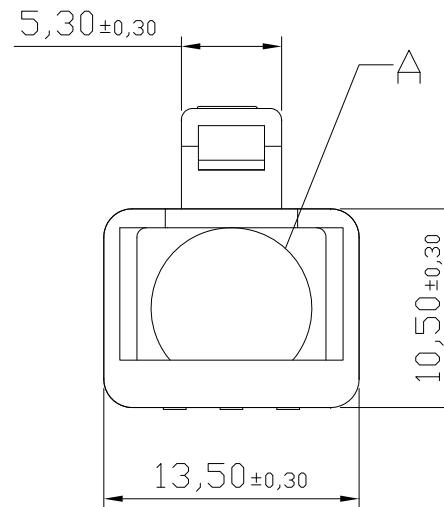
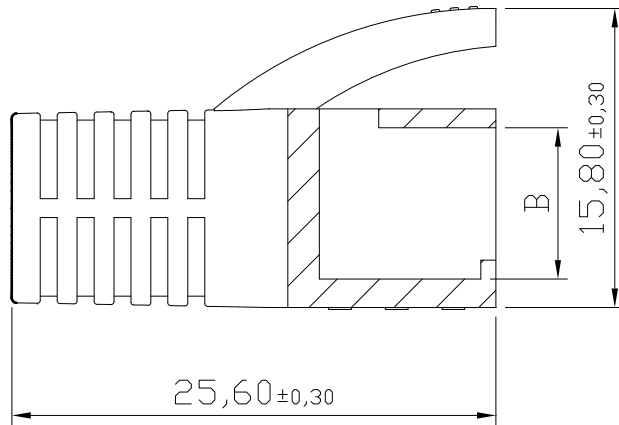


A Dim m/m	B Dim m/m
5.5±0.10	8.0±0.10
6.0±0.10	8.0±0.10
6.5±0.10	8.0±0.10
7.0±0.10	8.0±0.10
7.5±0.10	8.0±0.10
8.0±0.10	8.0±0.10
8.5±0.10	8.5±0.10



UNIT: m/m

材質 Material :

1. 塑膠材質 Material : PVC

COBLE ENTERPRISE CO., LTD.

TITLE	SR0812A-*. * PVC COVER		
APPROVE	PETER KUO	DESIGN	C.M.CHEN
DATE	8-19-2020	F. No.	SR0812A