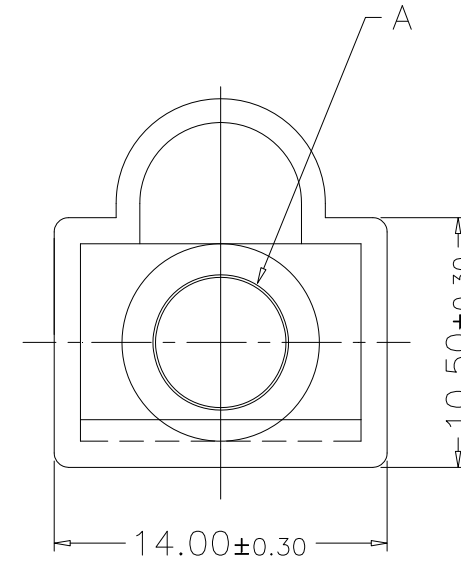
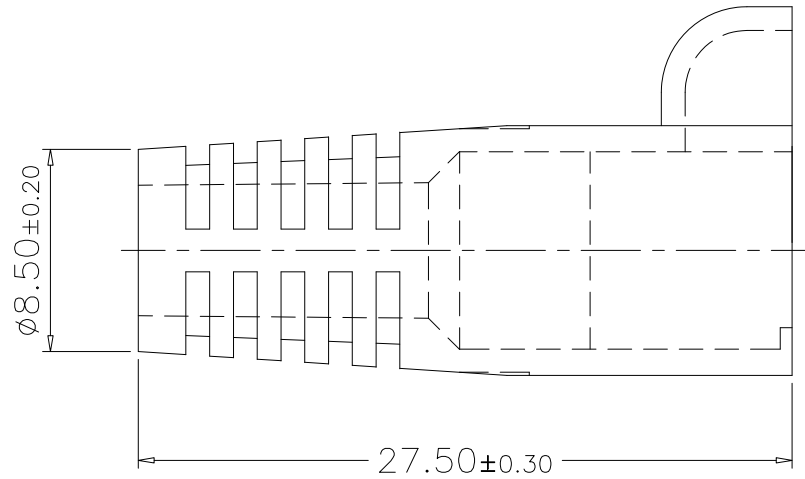


A Dim	m/m
5.5	± 0.10
6.0	± 0.10
6.5	± 0.10
7.0	± 0.10



UNIT: m/m

材質 Material :

1. 塑膠材質 Material : PVC

COBLE ENTERPRISE CO., LTD.			
TITLE	SR0812-*. * PVC COVER		
APPROVE	PETER KUO	DESIGN	C.M.CHEN
DATE	06-25-2009	F. No.	SR0812