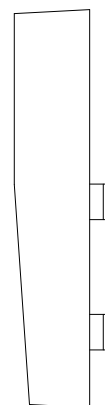
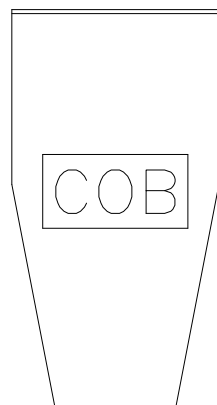
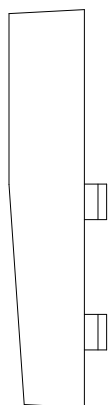
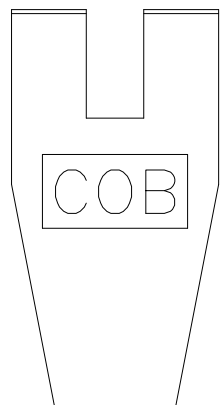
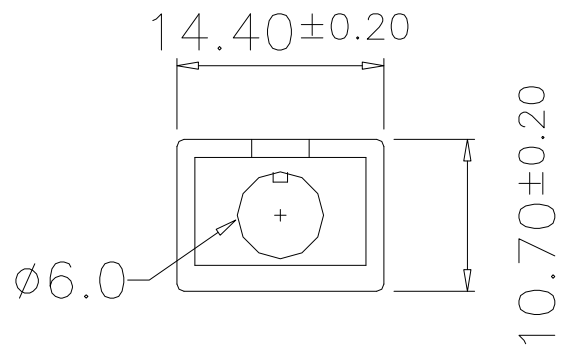
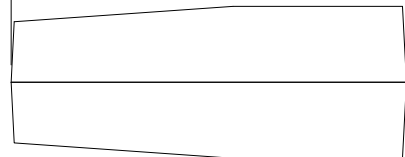


27.50±0.20



UNIT: m/m

材質 Material :

1. 塑膠材質 Material : ABS

COBLE ENTERPRISE CO., LTD.			
TITLE	SR0822-*. * ABS COVER		
APPROVE	PETER KUO	DESIGN	C.M.CHEN
DATE	06-25-2009	F. No.	SR0822